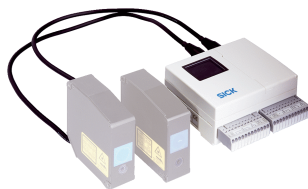


AODG-P1

OD Max

DISPLACEMENT MEASUREMENT SENSORS

SICK
Sensor Intelligence.



Ordering information

| Type | Part no. |
|---------|----------|
| AODG-P1 | 6030978 |

Other models and accessories → www.sick.com/OD_Max



Detailed technical data

Features

| | |
|--------------------|----------------|
| System part | Amplifier unit |
|--------------------|----------------|

Performance

| | |
|----------------------------|--|
| Response time | 0.5 ms ¹⁾ |
| Measuring frequency | 10 kHz |
| Output time | ≤ 0.1 ms |
| Additional function | Arithmetic calculations, Mean-value setting 1 ... 4,096x, Frequency filters, automatic sensitivity adjustment, manual sensitivity adjustment, Time functions, 8 memory banks, Hold functions, Peak-to-peak measurement, Peak height measurement, Bottom measurement, Analog outputs can be taught in, Switching outputs can be taught in, set hysteresis, Internal data recorder, switching mode: distance to object (DtO), switching mode: window (Wnd) |
| Note | Required for OD25-01T1 |

¹⁾ Automatic sensitivity adjustment ≤ 2 ms.

Interfaces

| | |
|---|---|
| Analog output | 2 x -5 ... +5 V (≥ 1 kΩ) ¹⁾ 2 x 4 mA ... 20 mA (≤ 300 Ω) ¹⁾ |
| Resolution analog output | 16 bit |
| Switching output | 5 x PNP (100 mA) ²⁾ |
| Error output (max. output current) | 2 x alarm |
| Reference input | 2 x zero-ref |
| Input for memory bank selection | 3 x bank |
| Hold input | 2 x hold, 1 x hold-reset |
| Data interface | RS-232 |

¹⁾ Source of analog output is either sensor heads, or calculation result.

²⁾ PNP: HIGH = V_S - (< 2 V) / LOW = < 2 V; NPN: HIGH = < 2 V / LOW = V_S.

Mechanics/electronics

| | |
|-------------------------------------|--------------------------------|
| Supply voltage V_s | DC 12 V ... 24 V ¹⁾ |
| Power consumption | 6 W ²⁾ |
| Warm-up time | ≤ 5 min |
| Housing material | Polycarbonat and nylon 66 |

¹⁾ DC 12 V (-5 %) ... DC 24 V (+10 %)

²⁾ When connected with two sensor heads, incl. analog current output.

³⁾ Inclusive terminal board.

| | |
|------------------------|---------------------|
| Connection type | Terminal board |
| Indication | 1,4" color display |
| Weight | 240 g ³⁾ |

1) DC 12 V (-5 %) ... DC 24 V (+10 %)

2) When connected with two sensor heads, incl. analog current output.

3) Inclusive terminal board.

Ambient data

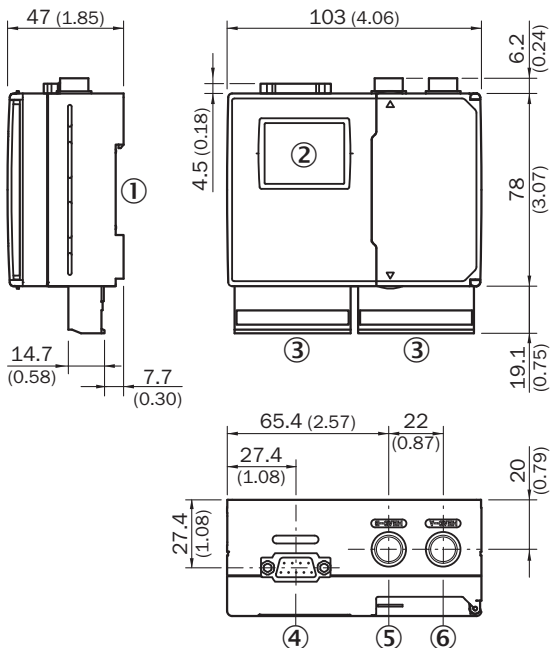
| | |
|---|---|
| Enclosure rating | IP 20 |
| Protection class | III |
| Ambient temperature | Operation: -10 °C ... +45 °C Storage: -20 °C ... +60 °C |
| Relative air humidity (non-condensing) | 35 % ... 85 % |
| Vibration resistance | 10 Hz ... 55 Hz (amplitude 1.5 mm, x-, y-, z-axis 2 hours each) |
| Shock resistance | 50 G (x, y, z axis 3 times each) |

General notes

| | |
|--------------------|---|
| Note on use | OD Max sensor head OD25-x is only to be used with AODG-P/N1; All other types (OD350-x, OD85-x, OD30-x) are to be used with AOD-P/N1 |
|--------------------|---|

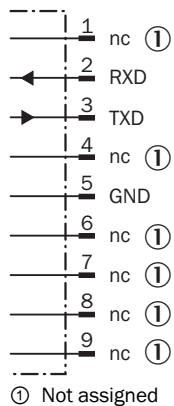
Dimensional drawing (Dimensions in mm (inch))

AOD-xx AODG-xx



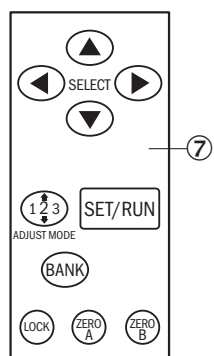
- ① DIN rail mounting
- ② LC display
- ③ Terminal board (detachable)
- ④ RS-232C interface
- ⑤ Sensor head B connection port
- ⑥ Sensor head A connection port

Evaluation unit RS-232C



Adjustment possible

AOD-xx AODG-xx



⑦ Operating elements

Recommended accessories

Other models and accessories → www.sick.com/OD_Max

| | Brief description | Type | Part no. |
|-----------------------------------|--|----------------|----------|
| Adapters and distributors | | | |
| | | TERM.-AOD/AODG | 6033129 |
| Plug connectors and cables | | | |
| | Head A: female connector, M12, 10-pin, straight Head B: male connector, M12, 10-pin, straight Cable: unshielded, 2 m | DSL-1210-G02M | 6028943 |
| | Head A: female connector, M12, 10-pin, straight Head B: male connector, M12, 10-pin, straight Cable: unshielded, 5 m | DSL-1210-G05M | 6028944 |

| | Brief description | Type | Part no. |
|--|---|---------------|----------|
| | Head A: female connector, M12, 10-pin, straight Head B: male connector, M12, 10-pin, straight Cable: unshielded, 10 m | DSL-1210-G10M | 6033614 |

SICK AT A GLANCE

SICK is one of the leading manufacturers of intelligent sensors and sensor solutions for industrial applications. A unique range of products and services creates the perfect basis for controlling processes securely and efficiently, protecting individuals from accidents and preventing damage to the environment.

We have extensive experience in a wide range of industries and understand their processes and requirements. With intelligent sensors, we can deliver exactly what our customers need. In application centers in Europe, Asia and North America, system solutions are tested and optimized in accordance with customer specifications. All this makes us a reliable supplier and development partner.

Comprehensive services complete our offering: SICK LifeTime Services provide support throughout the machine life cycle and ensure safety and productivity.

For us, that is “Sensor Intelligence.”

WORLDWIDE PRESENCE:

Contacts and other locations –www.sick.com